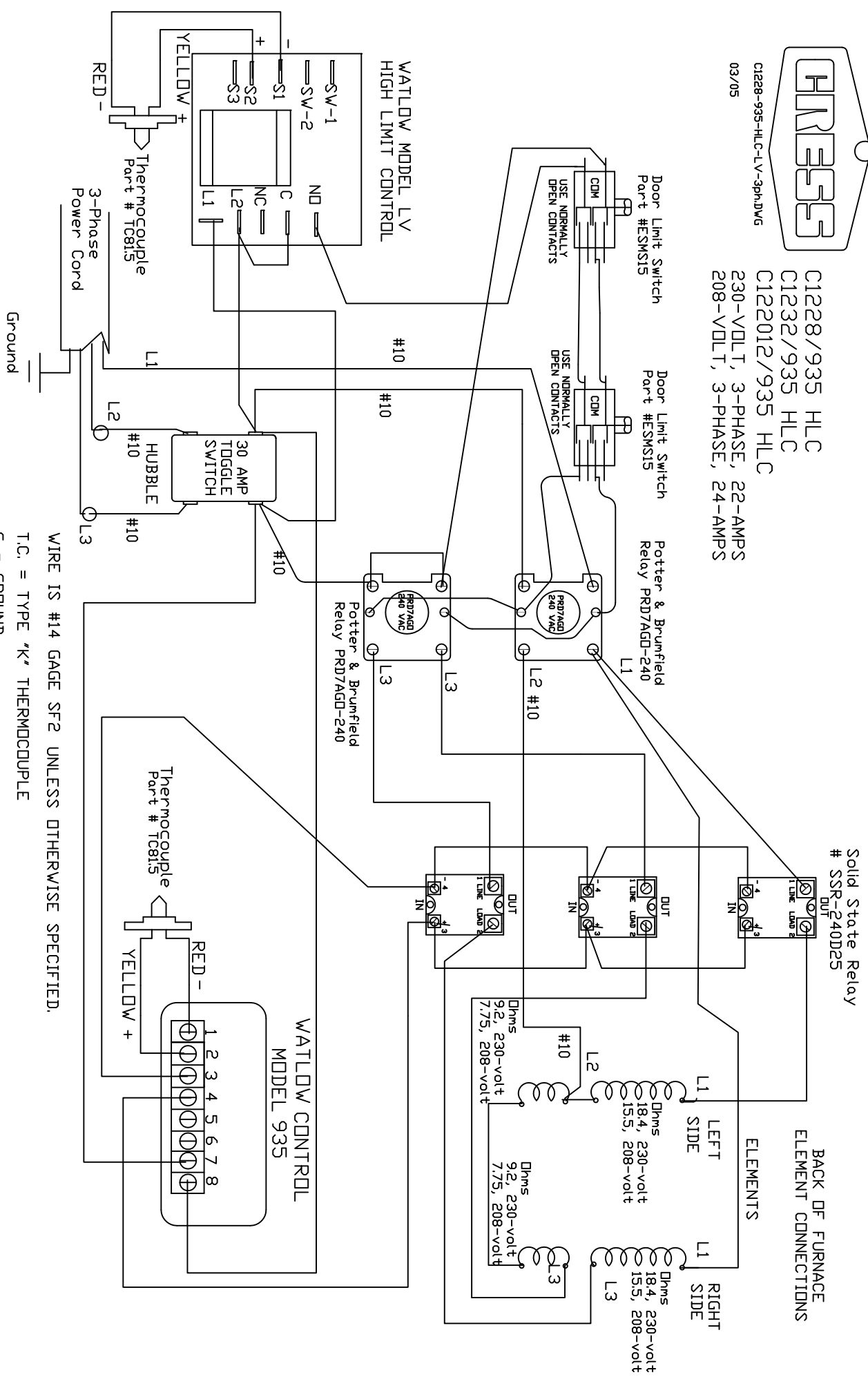


C1228-935-HLC-LV-3ph.DWG

03/05

C1228/935 HLC
C1232/935 HLC
C122012/935 HLC
230-VOLT, 3-PHASE, 22-AMPS
208-VOLT, 3-PHASE, 24-AMPS



Solid State Relay
SSR-240D25

BACK OF FURNACE
ELEMENT CONNECTIONS

ELEMENTS

LEFT SIDE

RIGHT SIDE

L1 18.4, 230-volt
 L2 15.5, 208-volt
 L3 9.2, 230-volt
 L3 7.75, 208-volt

WATLOW MODEL LV
HIGH LIMIT CONTROL

WATLOW CONTROL
MODEL 935

WIRE IS #14 GAGE SF2 UNLESS OTHERWISE SPECIFIED.

T.C. = TYPE 'K' THERMOCOUPLE

G = GROUND