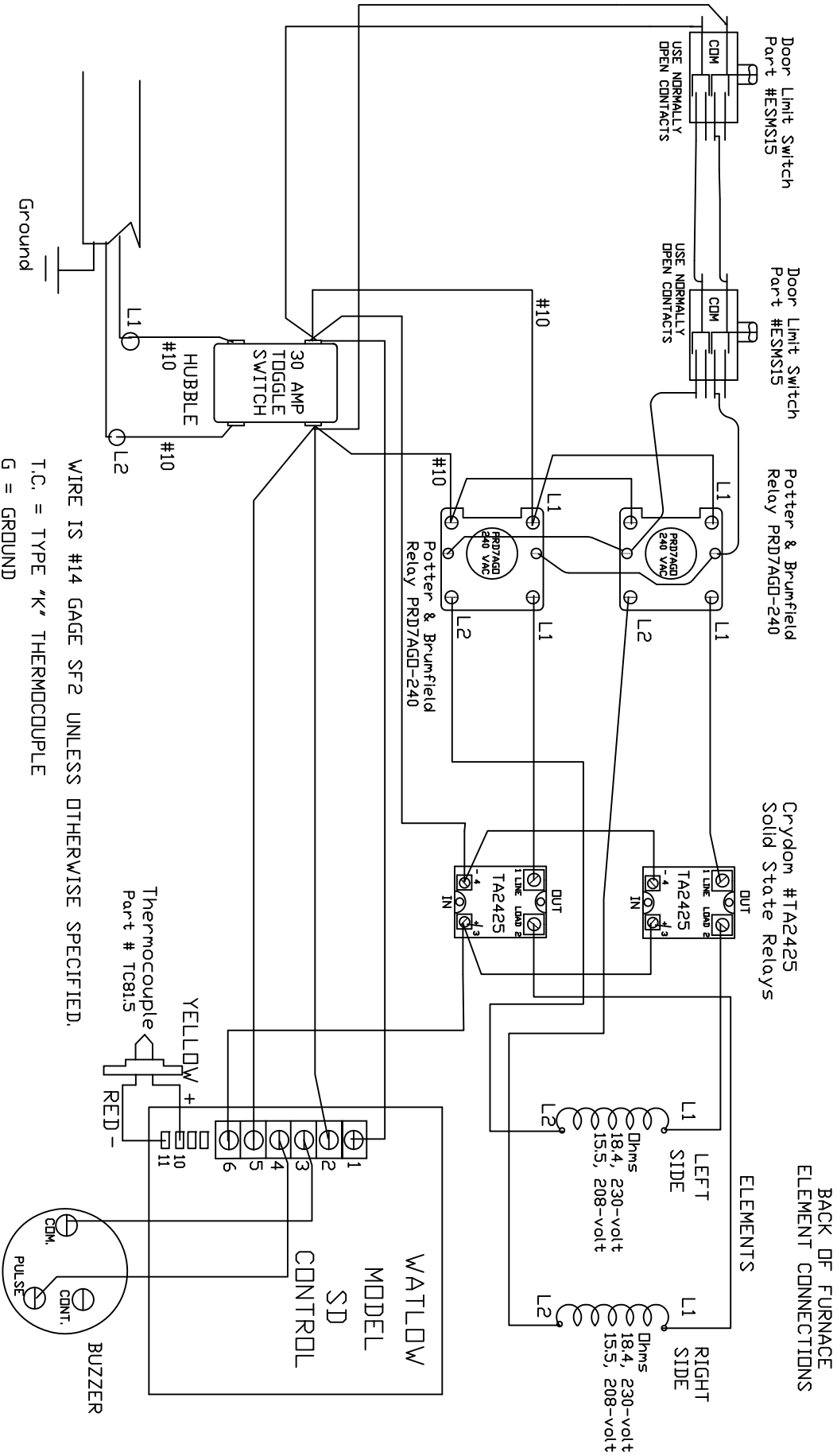


C1228-SD 230.DWG 5/2005

C1228/SD  
 C1232/SD  
 C122012/SD  
 230-VAC, 25-AMPS  
 208-VAC, 27-AMPS



WIRE IS #14 GAGE SF2 UNLESS OTHERWISE SPECIFIED.  
 T.C. = TYPE "K" THERMOCOUPLE  
 G = GROUND

BACK OF FURNACE  
 ELEMENT CONNECTIONS