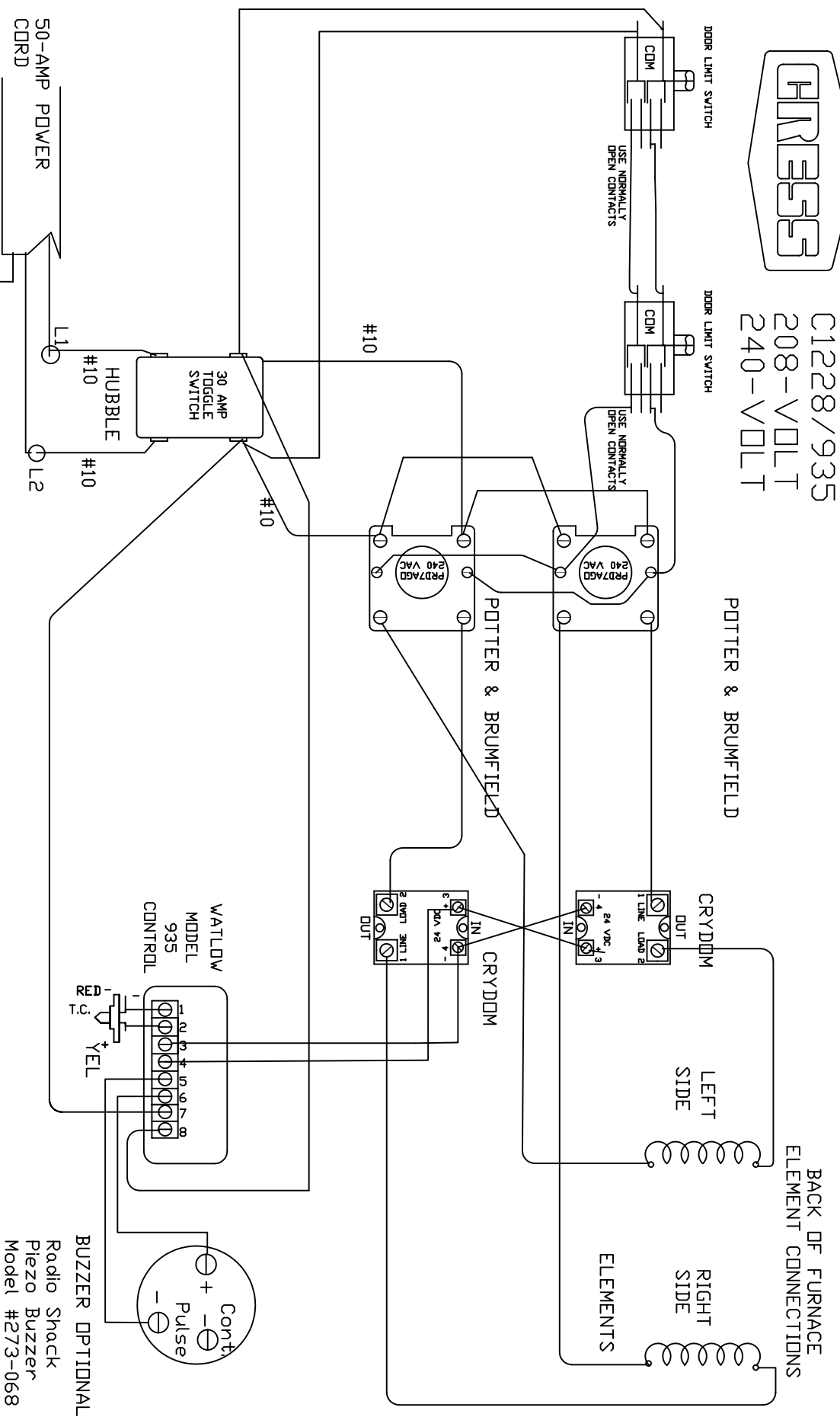


C1228/935  
 208-VOLT  
 240-VOLT



WIRE IS #14 GAGE SF2 UNLESS OTHERWISE SPECIFIED.  
 T.C. = TYPE 'K' THERMOCOUPLE  
 G = GROUND

BUZZER OPTIONAL  
 Radio Shack  
 Piezo Buzzer  
 Model #273-068