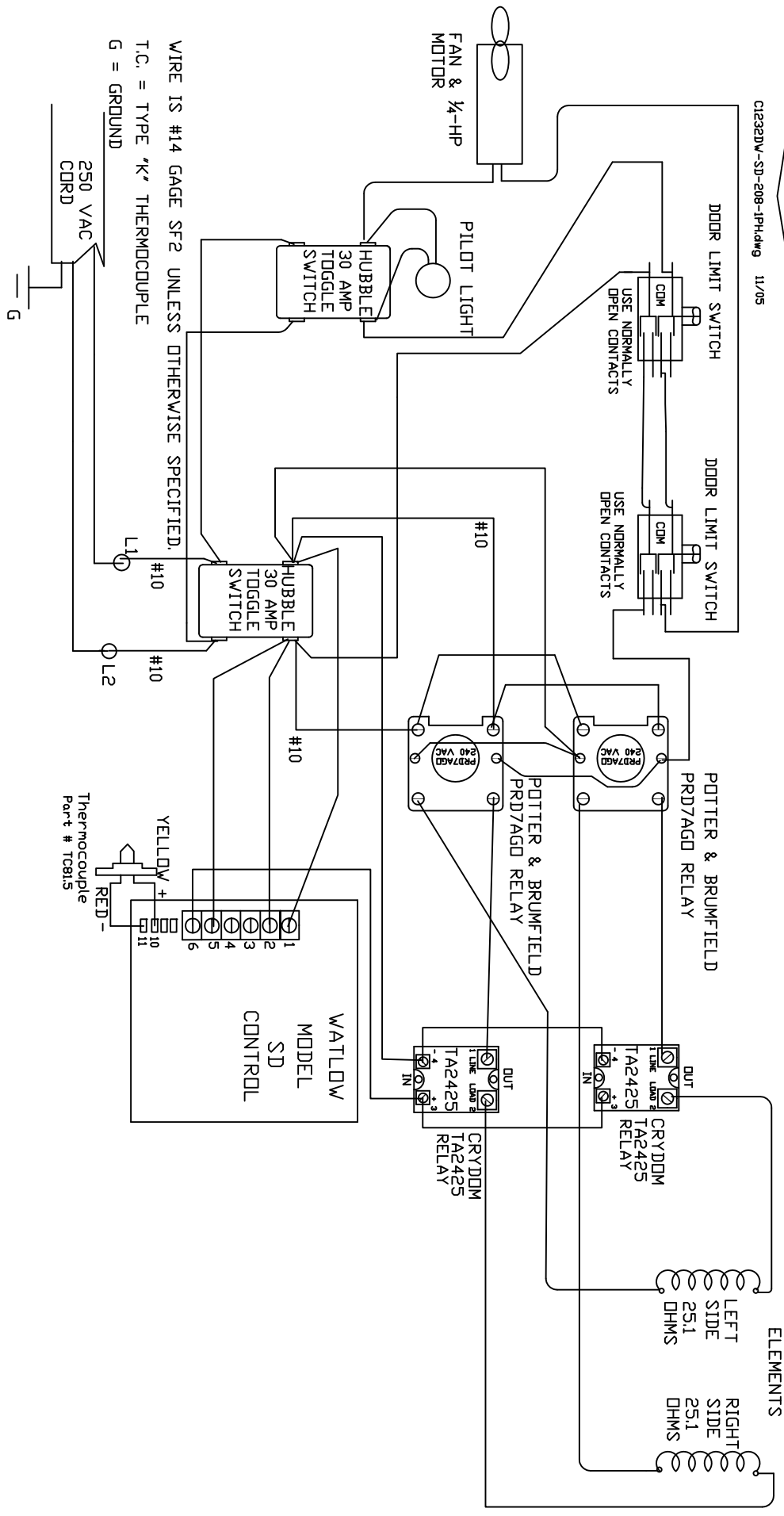


C-1232DW/SD

208-VOLT, SINGLE-PHASE.

C1232DW-SD-208-1PH.dwg 11/05



WIRE IS #14 GAGE SFE UNLESS OTHERWISE SPECIFIED.

T.C. = TYPE °K THERMOCOUPLE

G = GROUND

250 VAC CORD

G

ELEMENTS

LEFT SIDE 25.1 DHMS

RIGHT SIDE 25.1 DHMS

CRYDOM TA2425 RELAY

CRYDOM TA2425 RELAY

POTTER & BRUMFIELD PRD7AGD RELAY

POTTER & BRUMFIELD PRD7AGD RELAY

DOOR LIMIT SWITCH

USE NORMALLY OPEN CONTACTS

DOOR LIMIT SWITCH

USE NORMALLY OPEN CONTACTS

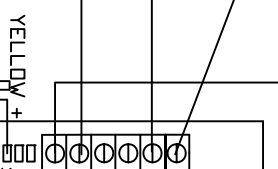
FAN & 1/4-HP MOTOR

PILOT LIGHT

HUBBLE 30 AMP TOGGLE SWITCH

HUBBLE 30 AMP TOGGLE SWITCH

WATLOW MODEL SD CONTROL



Thermocouple Part # TC815