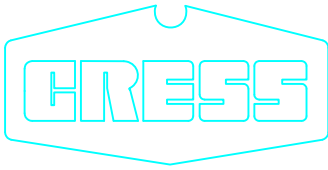


# C163212D/SD-935 HLCU

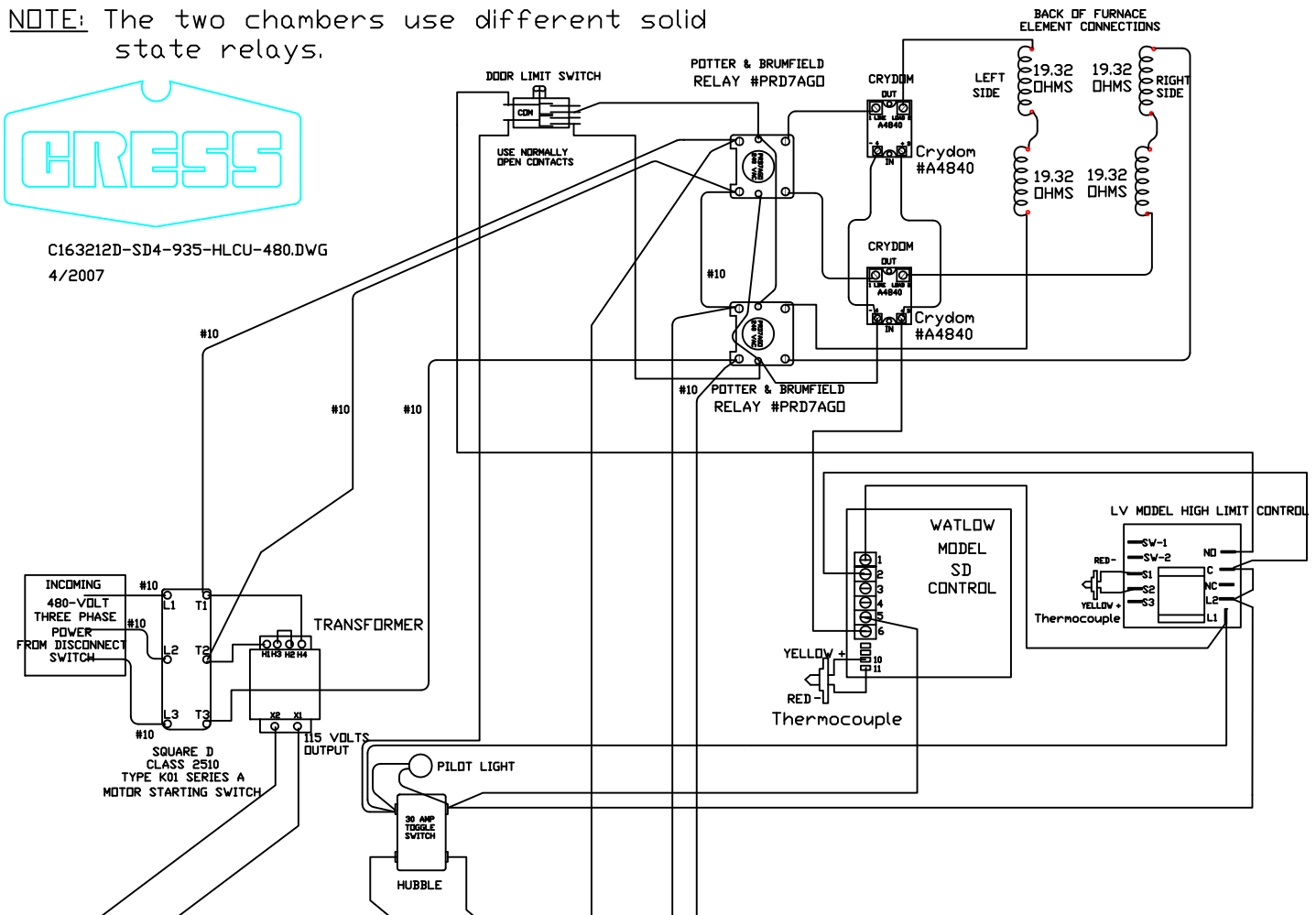
480-VOLT 3-PHASE

## UPPER CHAMBER

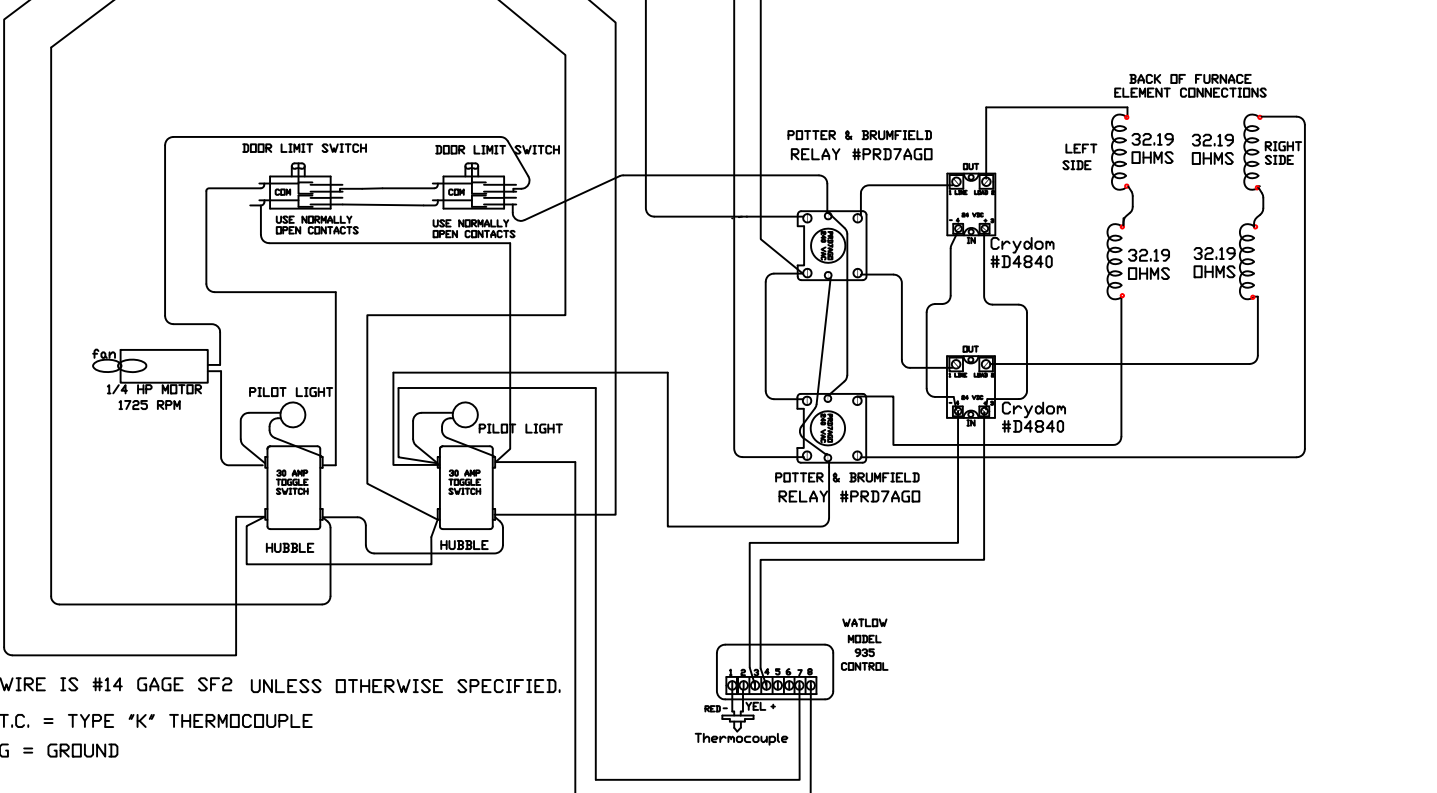
NOTE: The two chambers use different solid state relays.



C163212D-SD4-935-HLCU-480.DWG  
4/2007



## LOWER CHAMBER



WIRE IS #14 GAGE SF2 UNLESS OTHERWISE SPECIFIED.  
T.C. = TYPE "K" THERMOCOUPLE  
G = GROUND