



EC242431FH

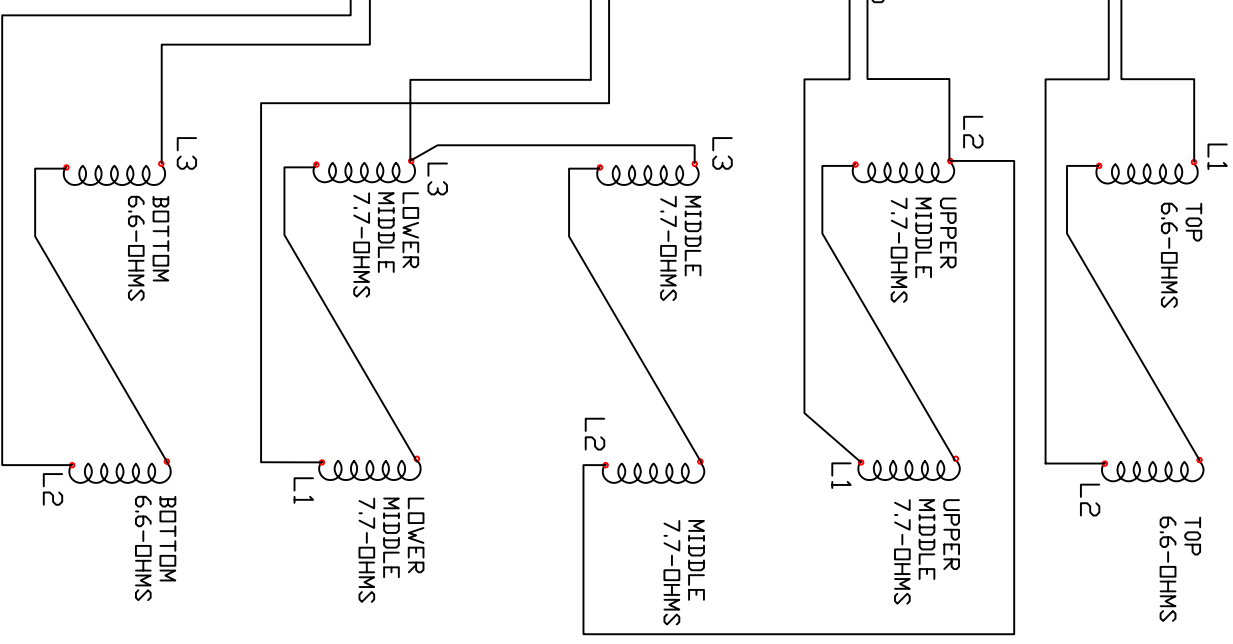
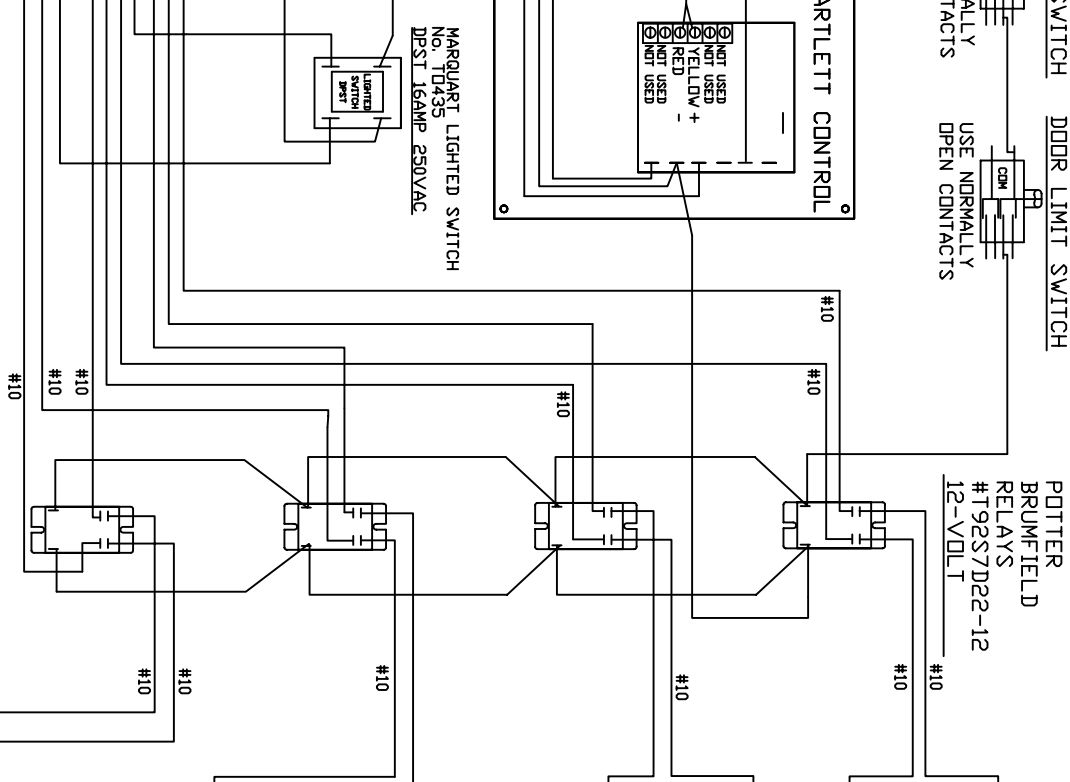
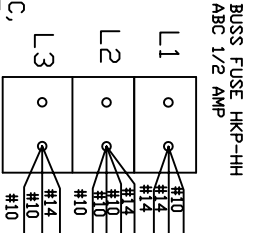
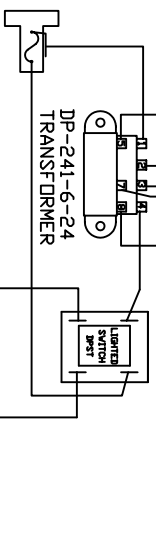
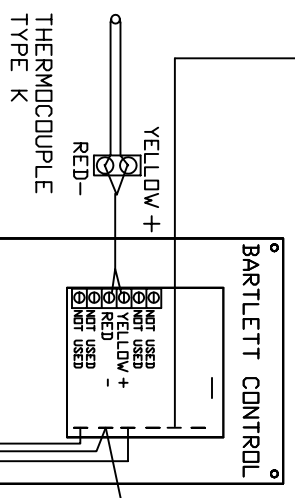
208-VOLT, 3-PHASE 43AMPS

EC242431FH-008-1PH4W 3-07

DOOR LIMIT SWITCH DOOR LIMIT SWITCH

USE NORMALLY OPEN CONTACTS USE NORMALLY OPEN CONTACTS

POTTER BRUMFIELD RELAYS #T92S7D22-12 12-VOLTS



208-VAC, 3-PHASE FROM FUSED DISCONNECT SWITCH.

GROUND TO CASE

ALL WIRES ARE #14 GAUGE SF-2 EXCEPT WHERE NOTED.

LEFT SIDE ELEMENTS

RIGHT SIDE ELEMENTS

THE ELEMENT CONNECTIONS ARE ON THE BACK OF THE KILN.